

Table of contents

1	Base element	1
2	Adjusting nut	1
3	Compression pad	1
4	Counternut	1
5	Doublestep washer with square socket and tappet: red, white or black	1
6	Insulating tooth- or bowl lockwasher: red, white or black/alternative 30 mm puzzle lockwasher: black	1
10	Serrated lock washer, bronze, optional	1
11	Torx* screw, M 4 x 7, optional	1

Extend of delivery: 1-3 mounted, 4-6 attached, 10-11 optional

Revision date: 2000-06-13

All rights reserved by WBT · Petty patent (DBGM 90020367) and int. registered design (M9001263) by WBT. WBT is a reg. trademark of WBT, Germany.

\* Torx is a reg. trademark of Camcar Textron, USA.

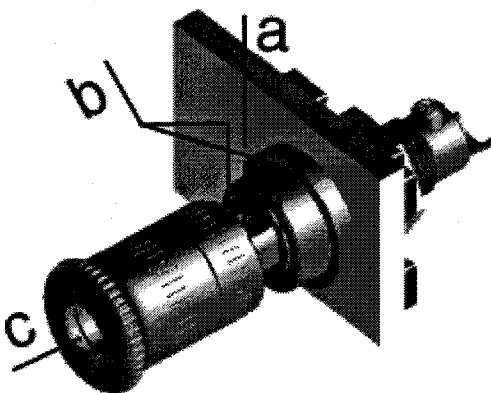
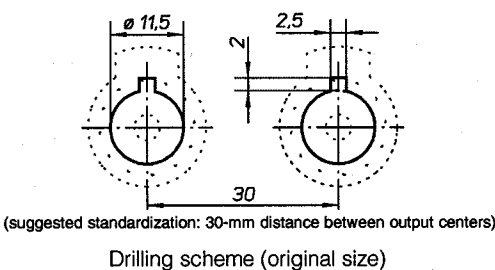
Also available as fully insulated, contact-protected part (WBT-0765), in accordance with the safety standards of CE\* und IEC\*\* 65.

\* CE is the abbreviation of Conformité Européenne.  
\*\* IEC is the abbreviation of International Electrotechnical Commission.

All dimensions in mm

## WBT-0763 Pole terminal

High-current pole terminal for cabinet mounting, mushroom style



External connection possibilities (see under 5.)

- Mechanics**
  - single-segment, low-tolerance contact elements (tol. less than  $\pm 0.05$  mm)
  - solid basic element with 4-mm boring for banana plug, internal screw box and cross boring (dia. 5.6 mm) also for thick cables. Adjusting nut with extra-fine thread (0.5 pitch) and free running compression pad with cross-milled surface for optimum contact pressure, reduces wear on cables.
- Materials**
  - all solid parts made of highly ductile "OFC" copper alloy (52% Cu)
  - insulating material: polyamide (PA) 6 (15% glass fibre), red, white or black / Makrolon® polycarbonate), transparent/ polycarbonate (30% glass fibre), black
- Surfaces**
  - WBT gold-plating, 24 carat, non-ferromagnetic  
Cu 1.5  $\mu$ m, Ni 8  $\mu$ m, Au 0.2  $\mu$ m
- Operating characteristics**
  - constant current  $I_b > 200$  A
  - contact resistance  $R_c \leq 0.1$  mohms (clamp connection)
  - contact resistance  $R_c \leq 0.15$  mohms (plug connection with standard banana plug)
  - contact resistance  $R_c \leq 0.1$  mohms (plug connection with WBT banana plug)
  - volume resistance  $R_v \leq 0.003$  mohms
  - isolation resistance  $R_{iso} > 10^{10}$  ohms
- Terminals**
  - internal connection (for cables up to 10 mm<sup>2</sup> (AWG 8)):
    - - soldering version,
    - - crimping version (only with additional Torx\* screw 11)
  - external connection:
    - a) for cable ends up to 6 mm<sup>2</sup> (AWG 10)
    - b) spade lugs (with 6- and 8-mm contact fork)
    - c) for 4 mm banana plugs
- Mounting**
  - boring:  $\varnothing 11.5^{+0.2}$  mm with 2.5 x 2 mm nut for twist protection
  - WBT also offers special-parts and -information hereto. Please ask us!
- Safety instruction:** within the EU territory WBT-0763 must not be used without the safety-stick (WBT-0799) (to provisionally close the 4-mm banana-boring).